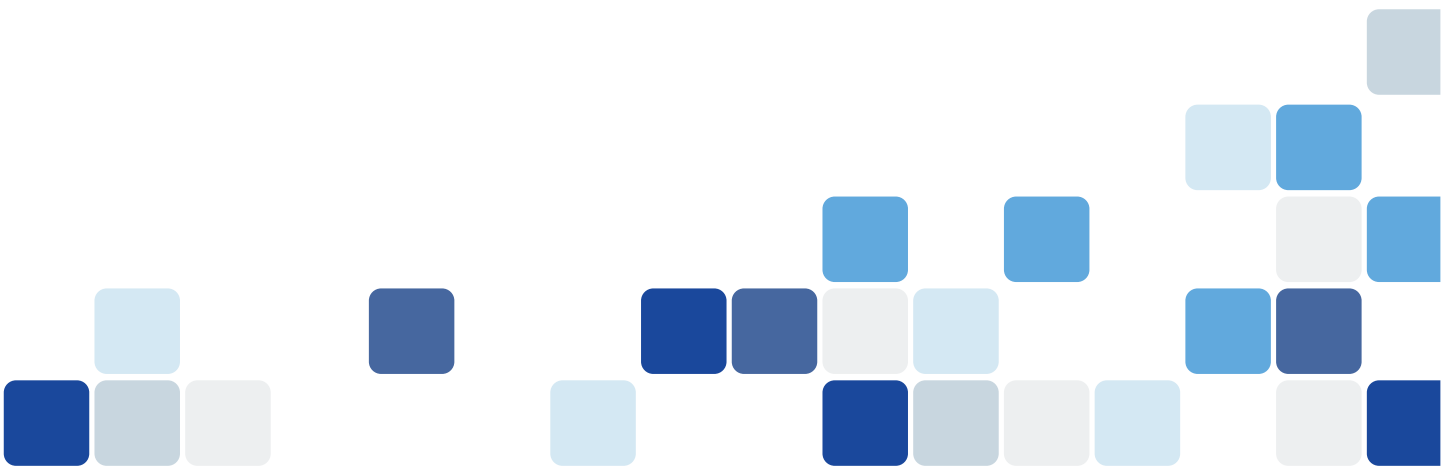




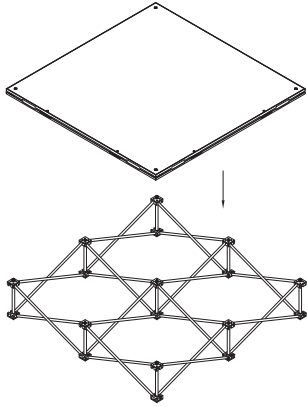
**Smart Stage
Product manuals**



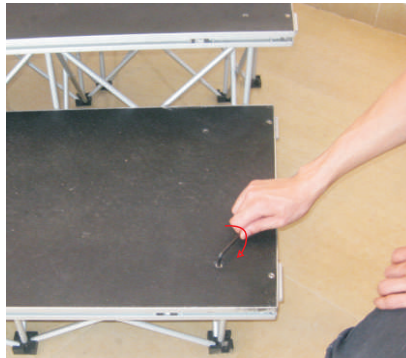
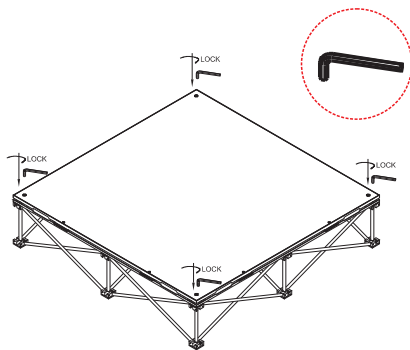


How to assemble smart stage?

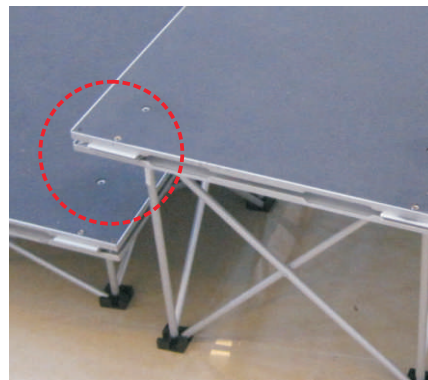
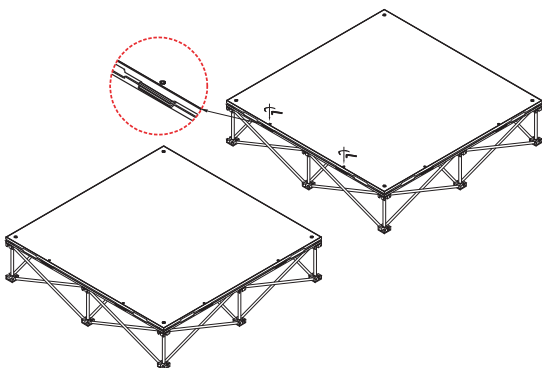
Step 1 : Unfold Smart Stage Riser Legs, and Place the Stage Platform On Riser Legs.



Step 2 : Remove the Enclosed Hex Key from the Smart Stage Platform and Lock the Stage Platform and Riser Together

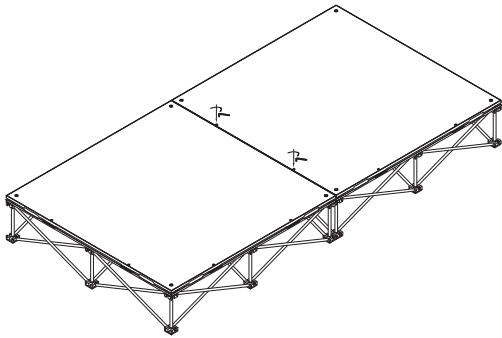


Step 3 : Align Smart Stage Decks .

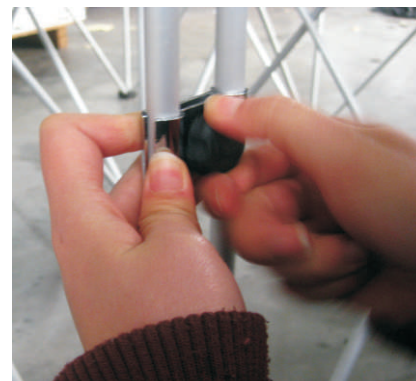
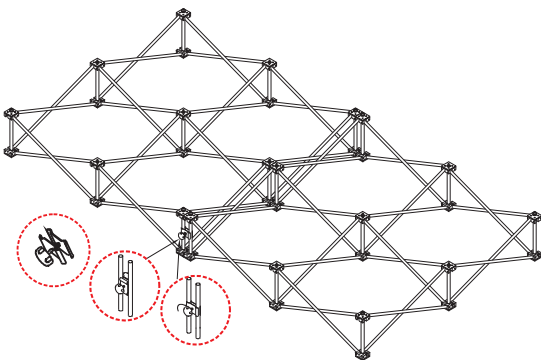




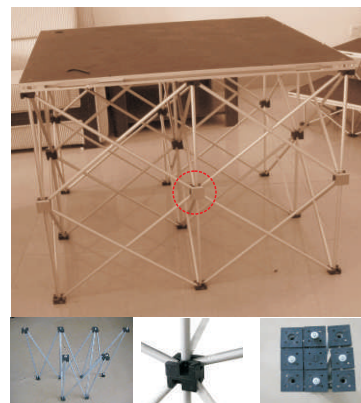
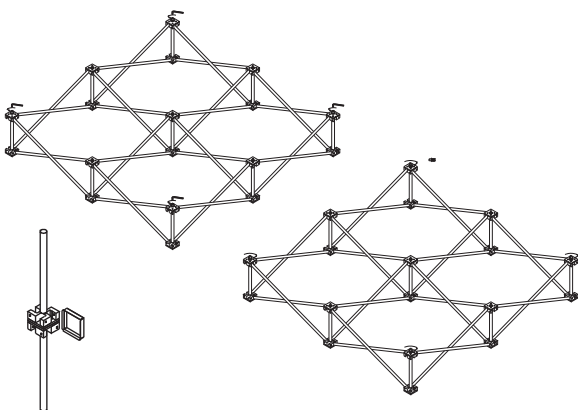
Step 4 : Lock Stage Platforms Together (same height).



Step 5 : User Riser Clamps to Lock Risers Of Different Heights (Same Heights also).

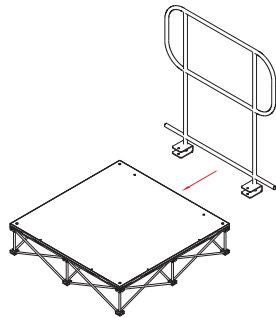


Step 6 : Stacking Riser Legs For Greater Heights Using Stacking Kits.

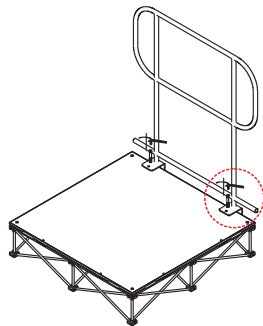




Step 7 : Slide Guard Rail over modular stage platforms with pre-drilled holes.



Step 8 : secure the guardrail with included bolt and hex key.



Step 8 : Secure the guardrails by bolting.

